

DATA SHEET

SpaceTRAX®

The Robust, Secure and Quick-to-Deploy Solution for Clinical Point-of-Use Inventory Management.

SpaceTRAX®

System Requirements

SpaceTRAX Client

- Internet Explorer 7, 8 or 9
- RAM 768MB (or higher)
- ActiveX printing control (optional)
- Broadband internet connectivity

Barcode Scanner

- Linear/ 2D Scanner
- USB port



Description

SpaceTRAX® is an advanced clinical inventory system designed for procedural areas that helps manage all inventory items, by using barcode and RFID technology. SpaceTRAX is a HIPAA-compliant web-based Software-as-a-Service (SaaS) platform, hosted on secure servers, and accessed securely using an Internet browser. No installations or IT support are required. All maintenance, upgrades and performance monitoring are provided as part of the subscription.

100% SaaS

Using the SaaS (Software-as-a-Service) platform, SpaceTRAX provides a cost-effective, flexible and secure alternative to traditional inhouse managed software applications. As well, the SaaS platform releases you from any IT concerns, and enables rapid deployment assisted by our Professional Services team.

Zero Footprint

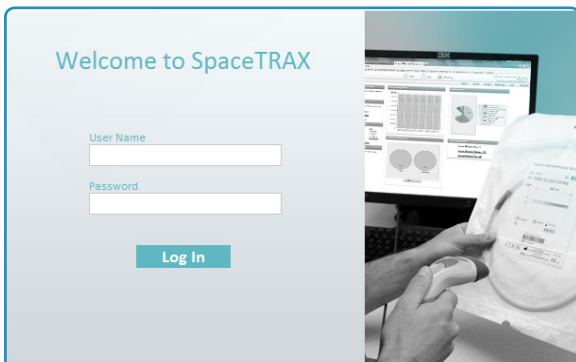
SpaceTRAX users connect from any Internet-enabled workstation, and are not limited to local installations.

Maintenance and Support

All version upgrades, patches and bug fixes are provided as part of your subscription, with no additional costs or IT specialist involvement, providing the most up-to-date version with minimal effort.

Performance Monitoring

System performance is pro-actively monitored on an ongoing basis, 24x7, allowing quick responses to issues.



Login and Permissions

SpaceTRAX ensures data is accessed only by approved personnel.

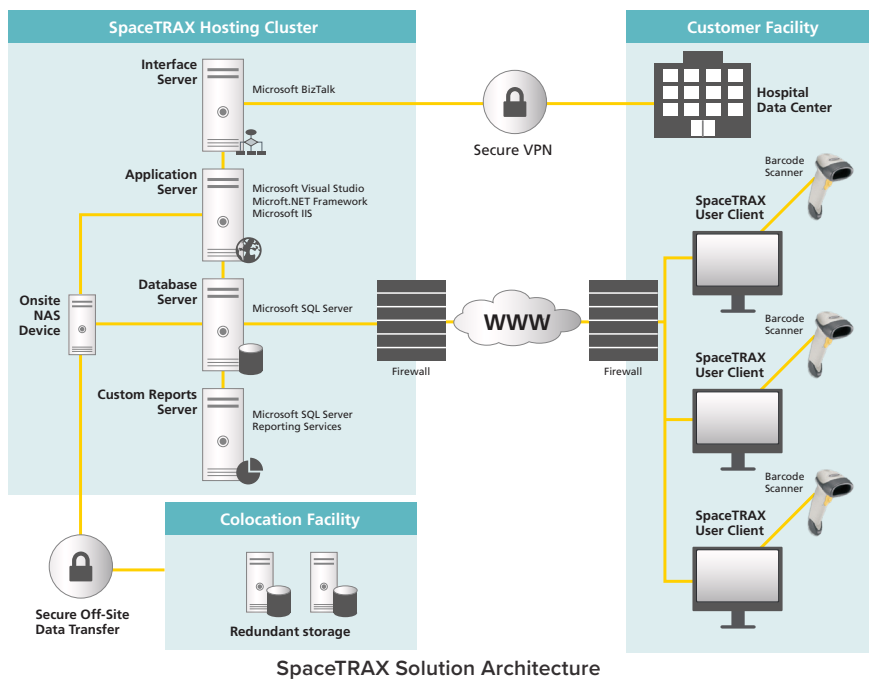
Data Security

Only authorized users may log in to your facility's SpaceTRAX account.

You can enforce your organization's password policy, including length and character rules, validity periods and password re-use.

Permissions

Administrators can create security groups and assign certain permissions, using an exception-based approach. These permissions control users' exposure to certain sensitive data, such as ePHI, pricing, users, etc., as well as their ability to perform certain actions, such as adding and using inventory, changing settings, participating in inventory audits, etc.



Security

SpaceTRAX provides comprehensive data protection.

Encryption

Data is encrypted using the AES/256 standard on all networks that transmit and receive data, as well as on all systems that store "non-transient" data and backup media.

Web Communication

Data is transmitted between remote locations over HTTPS using SSL/TLS certificates. A 2048 bit encryption key is applied.

Firewall

All external connections go through stateful firewalls.

Interface to Legacy Systems

- Billing
- Materials Management/ Master Item Catalog
- ADT/ Patient information
- Purchasing

Custom Reports

- Exportable to PDF, image file
- Supports scheduled push to email

Availability and Business Continuity

- Guaranteed 99.5% uptime (annual)
- 24x7x365 technical support
- Backup systems ensure all essential business information and software can be recovered following a disaster or media failure
- Backups are performed on a regular basis, which is provided as part of the SpaceTRAX subscription
- Backup data is securely transmitted to a geographically remote co-location

STANLEY
Healthcare

About STANLEY Healthcare

Over 15,000 hospitals and senior living communities rely on STANLEY Healthcare solutions to empower caregivers to deliver better care. STANLEY Healthcare is a part of Stanley Black & Decker and a proud supporter of the Alzheimer's Association®. Learn more at www.stanleyhealthcare.com.

130 Turner Street, Suite 700, Waltham, MA 02453 | 1-888-622-6992 | stanleyhealthcare.com | stanleyhealthcare@sbdinc.com